

PERCH

SwiftFit Balconies

Durable • Safe • Attractive • Easy to install

Balcony Decking

Perch 20

Specifically designed for use in contemporary balconies

Specifications

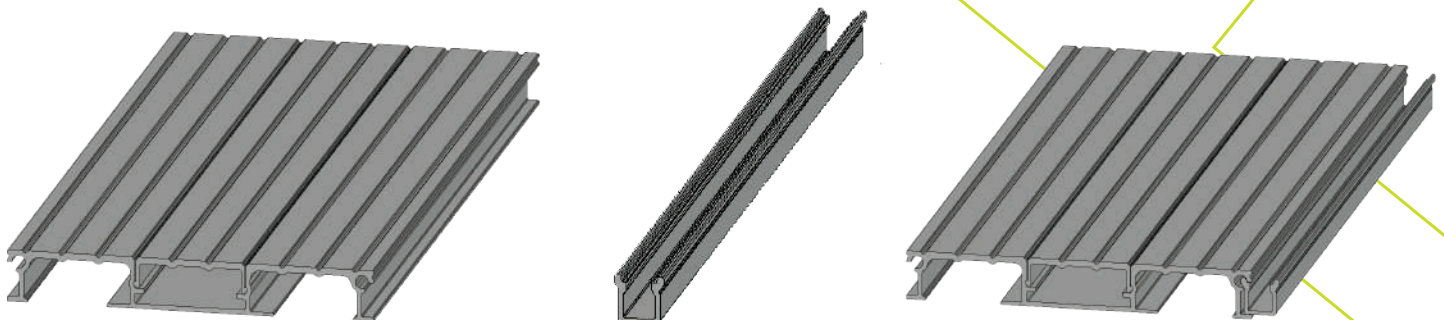
- Fire resistance - A2-s1, d0 and A2fl-s1 (coated)
- Non-combustible
- Slip resistance
- The weight of the standard balcony board including the clip in cover is 12.6 kgs/m²
- Lightweight
- Coating thickness - 60-80 microns
- Coated to Qualicoat standards
- UV Stability - ISO 2810 Class 1 - 1 Year Florida
- Can span 500mm on 2.kN load.
- Secret Fixed
- 15 Year Warranty
- Thermal Expansion 0.021 - 0.024mm/m/°c

Dimensions

Individual boards:

Length: As requested
Width: 140mm (146mm) modules
Depth: 20mm

The boards can be cut to size depending on quantity required.



www.perchbalconies.ie

PERCH

SwiftFit Balconies

Slip Resistance

Slip resistance all in accordance with BS7976-2 Pendulum Slip Test. PTV \geq 36 (Dry & wet) (Low potential)

Fire Resistant

Our decking is an aluminium profile with a polyester powder coating applied it is classified A2fl - s1 & A2 - S1, d0. All in accordance with EN 13501-1:2018

Drainage

Drainage channels interlock between boards to provide full drainage option.

Installation

Boards are secret fixed in place in the centre of the board under the cover clip. This leaves a slick finished decking board with no visible fixings.

CE Marking

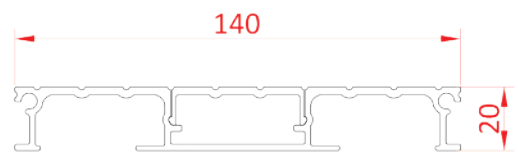
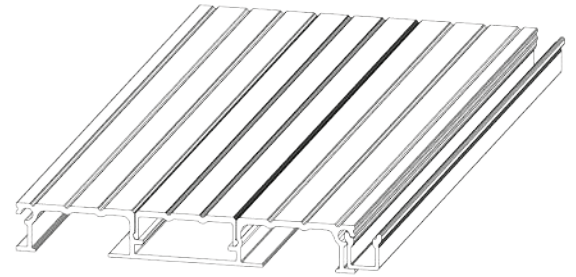
Covered under EN1090 Standard for CE Marking when used with our Balcony System.

Construction

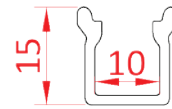
All aluminium used in our decking is 6063 T6 grade and offers a 60 year service life and is 100% recyclable which is better for the environment. The decking boards are fully tested for deflection and slip resistance.

Colours

We offer our decking boards in a range of colours, note some colours may incur additional costs. Please contact us with your RAL colour and we can advise you.



20mm Board



Drainage channel

Leegane, Foulksmills, Co. Wexford Y35 TF97
051 565 162
info@perchbalconies.ie

www.perchbalconies.ie

Part of **ARC**
ENGINEERING

PERCH

SwiftFit Balconies

Durable • Safe • Attractive • Easy to install

Balcony Decking

Perch 30

Specifically designed for use in contemporary balconies

Specifications

- Fire resistance - A2-s1, d0 and A2fl-s1 (coated)
- Non-combustible
- Slip resistance
- The weight of the standard balcony board including the clip in cover is 13.92 kgs/m²
- Lightweight
- Coating thickness - 60-80 microns
- Coated to Qualicoat standards
- Can span 1000mm on 2.kN load
- Secret Fixed

Dimensions

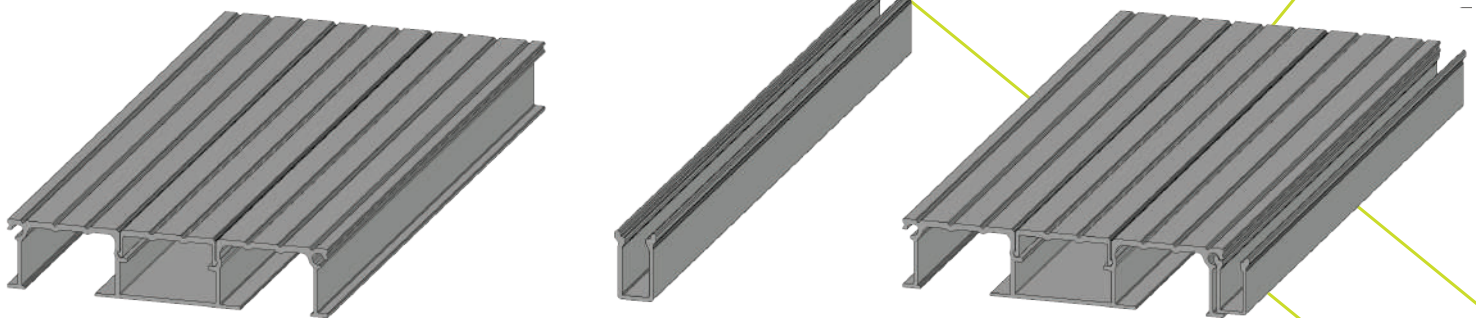
Individual boards:

Length: As requested

Width: 140mm (146mm) modules

Depth: 30mm

The boards can be cut to size depending on quantity required.



www.perchbalconies.ie

PERCH

SwiftFit Balconies

Slip Resistance

Slip resistance all in accordance with BS7976-2 Pendulum Slip Test.
PTV \geq 36 (Dry & wet) (Low potential)

Fire Resistant

Our decking is an aluminium profile and with a polyester powder coating applied it is classified A2fl - s1 & A2 - S1, d0.
All in accordance with EN 13501-1:2018

Drainage

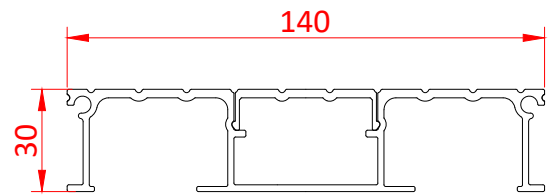
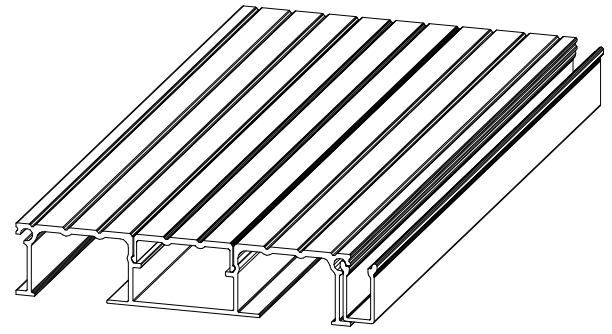
Drainage channels interlock between boards to provide full drainage option.

Installation

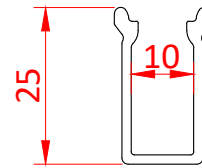
Boards are secret fixed in place in the centre of the board under the cover clip. This leaves a slick finished decking board with no visible fixings.

Construction

All aluminium used in our decking is 6063 T6 grade and aluminium is 100% recyclable which is better for the environment. The decking boards are fully tested for deflection and slip resistance.



30mm Board



Drainage channel

Colours

We offer our decking boards in a range of colours, note some colours may incur additional costs. Please contact us with your RAL colour and we can advise you.

Leegane, Foulksmills, Co. Wexford Y35 TF97
051 565 162
info@perchbalconies.ie

www.perchbalconies.ie

Part of **ARC**
ENGINEERING